



Levelling feet

Steel sheet metal, with rubber pad

SPECIFICATION

Types (Base)

- Type **A1**: Steel, zinc plated, rubber, inlaid black
- Type **A2**: Steel, zinc plated, rubber, inlaid white
- Type **A5**: Steel, plastic coated black, rubber inlaid, black

Version (Screw)

- Version **S**: without nut, external hexagon at the bottom
- Version **SK**: with nut, external hexagon at the bottom
- Version **U**: without nut, hexagon socket at the top, wrench flat at the bottom
- Version **UK**: with nut, hexagon socket at the top, wrench flat at the bottom
- Version **X**: external hexagon, female thread

Base plate, steel sheet metal

Type A1, A2:

Steel, zinc plated, blue passivated

Type A5:

Steel, plastic coated

Threaded stem

Steel, zinc plated, blue passivated

Hexagon nut ISO 4032

Steel, zinc plated, blue passivated

Rubber underlay, inlaid

- black: Perbunan® (NBR) 80±5 Shore A
- white: Perbunan® (NBR) 80±5 Shore A

INFORMATION

Levelling feet GN 30 will be delivered mounted and are not removable.

TECHNICAL INFORMATION

- Elastomer characteristics (see page A32)

LOAD RATING OF LEVELLING FEET

Information

The static load bearing capacity given in the table rests on a test series in which the load has been applied perpendicular to the base plate. For the values given in the table, the strain relief may result in minor deformations of the base plate.

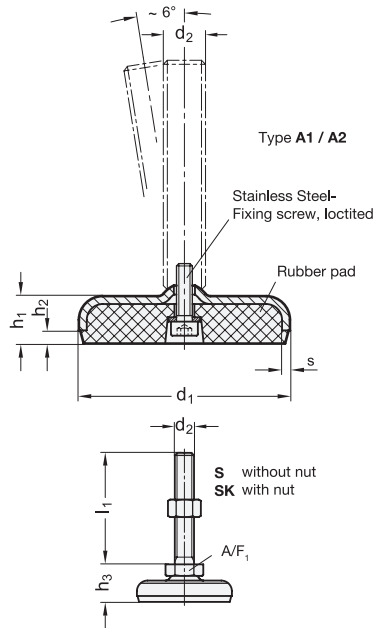
Bending and buckling stress which often occurs in practice results in a lower load bearing capacity of the adjustment spindle and may have to be taken into account.

Also, the spindle strength is assumed to be $\geq 500 \text{ N/mm}^2$.

The details given on strength are nonbinding guide values without any liability. In general, they do not constitute a warranty of quality.

The user must determine from case to case if a product is suitable for the intended purpose or use. Environmental factors may influence the stated values.





*Complete with version of the Levelling feet (External hexagon at the bottom)

S without nut
SK with nut

GN 30-S/SK

Description	d1	d2	l1	h1	h2	h3	s	A/F ₁	Static load in kN	⚖️
GN 30-50-M8-40-A1-*	50	M 8	40	14.5	3.5	23	3	17	8	215
GN 30-50-M8-40-A2-*	50	M 8	40	14.5	3.5	23	3	17	8	206
GN 30-50-M8-40-A5-*	50	M 8	40	14.5	3.5	23	3	17	8	215
GN 30-50-M8-50-A1-*	50	M 8	50	14.5	3.5	23	3	17	8	218
GN 30-50-M8-50-A2-*	50	M 8	50	14.5	3.5	23	3	17	8	209
GN 30-50-M8-50-A5-*	50	M 8	50	14.5	3.5	23	3	17	8	218
GN 30-50-M8-63-A1-*	50	M 8	63	14.5	3.5	23	3	17	8	222
GN 30-50-M8-63-A2-*	50	M 8	63	14.5	3.5	23	3	17	8	213
GN 30-50-M8-63-A5-*	50	M 8	63	14.5	3.5	23	3	17	8	222
GN 30-50-M10-50-A1-*	50	M 10	50	14.5	3.5	23	3	17	10	157
GN 30-50-M10-50-A2-*	50	M 10	50	14.5	3.5	23	3	17	10	148
GN 30-50-M10-50-A5-*	50	M 10	50	14.5	3.5	23	3	17	10	157
GN 30-50-M10-60-A1-*	50	M 10	60	14.5	3.5	23	3	17	10	174
GN 30-50-M10-60-A2-*	50	M 10	60	14.5	3.5	23	3	17	10	165
GN 30-50-M10-60-A5-*	50	M 10	60	14.5	3.5	23	3	17	10	174
GN 30-50-M10-80-A1-*	50	M 10	80	14.5	3.5	23	3	17	10	183
GN 30-50-M10-80-A2-*	50	M 10	80	14.5	3.5	23	3	17	10	174
GN 30-50-M10-80-A5-*	50	M 10	80	14.5	3.5	23	3	17	10	183
GN 30-50-M10-100-A1-*	50	M 10	100	14.5	3.5	23	3	17	10	193
GN 30-50-M10-100-A2-*	50	M 10	100	14.5	3.5	23	3	17	10	184
GN 30-50-M10-100-A5-*	50	M 10	100	14.5	3.5	23	3	17	10	193
GN 30-50-M12-60-A1-*	50	M 12	60	14.5	3.5	23	3	17	12	186
GN 30-50-M12-60-A2-*	50	M 12	60	14.5	3.5	23	3	17	12	177
GN 30-50-M12-60-A5-*	50	M 12	60	14.5	3.5	23	3	17	12	186
GN 30-50-M12-80-A1-*	50	M 12	80	14.5	3.5	23	3	17	12	201
GN 30-50-M12-80-A2-*	50	M 12	80	14.5	3.5	23	3	17	12	192
GN 30-50-M12-80-A5-*	50	M 12	80	14.5	3.5	23	3	17	12	201
GN 30-50-M12-100-A1-*	50	M 12	100	14.5	3.5	23	3	17	12	215
GN 30-50-M12-100-A2-*	50	M 12	100	14.5	3.5	23	3	17	12	206
GN 30-50-M12-100-A5-*	50	M 12	100	14.5	3.5	23	3	17	12	215
GN 30-50-M12-125-A1-*	50	M 12	125	14.5	3.5	23	3	17	12	237
GN 30-50-M12-125-A2-*	50	M 12	125	14.5	3.5	23	3	17	12	228
GN 30-50-M12-125-A5-*	50	M 12	125	14.5	3.5	23	3	17	12	237

GN 30-S/SK

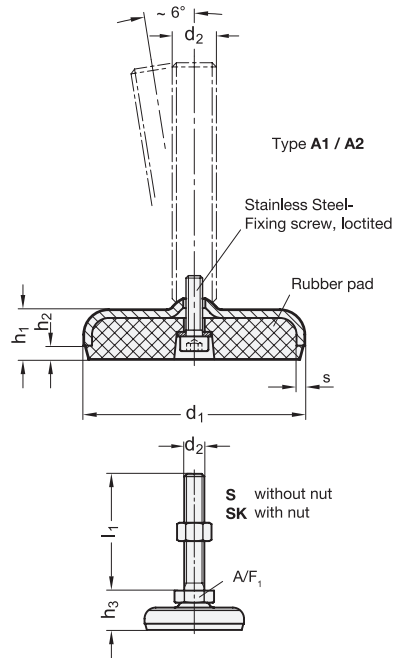
Description	d1	d2	l1	h1	h2	h3	s	A/F ₁	Static load in kN	⚖️
GN 30-60-M8-40-A1-*	60	M 8	40	16	4	24	3	17	8	266
GN 30-60-M8-40-A2-*	60	M 8	40	16	4	24	3	17	8	247
GN 30-60-M8-40-A5-*	60	M 8	40	16	4	24	3	17	8	266
GN 30-60-M8-50-A1-*	60	M 8	50	16	4	24	3	17	8	269
GN 30-60-M8-50-A2-*	60	M 8	50	16	4	24	3	17	8	250
GN 30-60-M8-50-A5-*	60	M 8	50	16	4	24	3	17	8	269
GN 30-60-M8-63-A1-*	60	M 8	63	16	4	24	3	17	8	273
GN 30-60-M8-63-A2-*	60	M 8	63	16	4	24	3	17	8	254
GN 30-60-M8-63-A5-*	60	M 8	63	16	4	24	3	17	8	273
GN 30-60-M10-50-A1-*	60	M 10	50	16	4	24	3	17	10	160
GN 30-60-M10-50-A2-*	60	M 10	50	16	4	24	3	17	10	189
GN 30-60-M10-50-A5-*	60	M 10	50	16	4	24	3	17	10	208
GN 30-60-M10-60-A1-*	60	M 10	60	16	4	24	3	17	10	225
GN 30-60-M10-60-A2-*	60	M 10	60	16	4	24	3	17	10	206
GN 30-60-M10-60-A5-*	60	M 10	60	16	4	24	3	17	10	225
GN 30-60-M10-80-A1-*	60	M 10	80	16	4	24	3	17	10	234
GN 30-60-M10-80-A2-*	60	M 10	80	16	4	24	3	17	10	215
GN 30-60-M10-80-A5-*	60	M 10	80	16	4	24	3	17	10	234
GN 30-60-M10-100-A1-*	60	M 10	100	16	4	24	3	17	10	244
GN 30-60-M10-100-A2-*	60	M 10	100	16	4	24	3	17	10	225
GN 30-60-M10-100-A5-*	60	M 10	100	16	4	24	3	17	10	244
GN 30-60-M12-60-A1-*	60	M 12	60	16	4	24	3	17	12	237
GN 30-60-M12-60-A2-*	60	M 12	60	16	4	24	3	17	12	218
GN 30-60-M12-60-A5-*	60	M 12	60	16	4	24	3	17	12	237
GN 30-60-M12-80-A1-*	60	M 12	80	16	4	24	3	17	12	252
GN 30-60-M12-80-A2-*	60	M 12	80	16	4	24	3	17	12	233
GN 30-60-M12-80-A5-*	60	M 12	80	16	4	24	3	17	12	252
GN 30-60-M12-100-A1-*	60	M 12	100	16	4	24	3	17	12	266
GN 30-60-M12-100-A2-*	60	M 12	100	16	4	24	3	17	12	247
GN 30-60-M12-100-A5-*	60	M 12	100	16	4	24	3	17	12	266
GN 30-60-M12-125-A1-*	60	M 12	125	16	4	24	3	17	12	288
GN 30-60-M12-125-A2-*	60	M 12	125	16	4	24	3	17	12	269
GN 30-60-M12-125-A5-*	60	M 12	125	16	4	24	3	17	12	288

Weight Version S





Levelling elements 11



* Complete with version of the Levelling feet (External hexagon at the bottom)

S without nut **SK** with nut

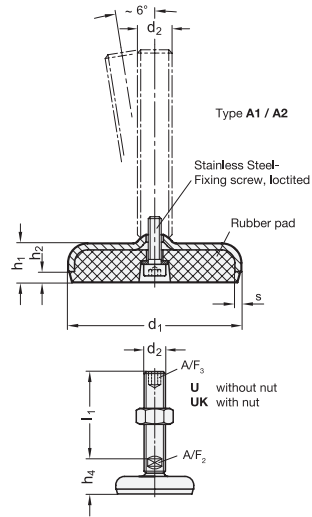
GN 30-S/SK

Description	d1	d2	l1	h1	h2	h3	s	A/F ₁	Static load in kN	
GN 30-80-M8-40-A1-*	80	M 8	40	18	5	26	3	17	8	260
GN 30-80-M8-40-A2-*	80	M 8	40	18	5	26	3	17	8	217
GN 30-80-M8-40-A5-*	80	M 8	40	18	5	26	3	17	8	260
GN 30-80-M8-50-A1-*	80	M 8	50	18	5	26	3	17	8	263
GN 30-80-M8-50-A2-*	80	M 8	50	18	5	26	3	17	8	220
GN 30-80-M8-50-A5-*	80	M 8	50	18	5	26	3	17	8	263
GN 30-80-M8-63-A1-*	80	M 8	63	18	5	26	3	17	8	267
GN 30-80-M8-63-A2-*	80	M 8	63	18	5	26	3	17	8	224
GN 30-80-M8-63-A5-*	80	M 8	63	18	5	26	3	17	8	267
GN 30-80-M10-50-A1-*	80	M 10	50	18	5	26	3	17	10	281
GN 30-80-M10-50-A2-*	80	M 10	50	18	5	26	3	17	10	238
GN 30-80-M10-50-A5-*	80	M 10	50	18	5	26	3	17	10	281
GN 30-80-M10-60-A1-*	80	M 10	60	18	5	26	3	17	10	298
GN 30-80-M10-60-A2-*	80	M 10	60	18	5	26	3	17	10	255
GN 30-80-M10-60-A5-*	80	M 10	60	18	5	26	3	17	10	298
GN 30-80-M10-80-A1-*	80	M 10	80	18	5	26	3	17	10	307
GN 30-80-M10-80-A2-*	80	M 10	80	18	5	26	3	17	10	264
GN 30-80-M10-80-A5-*	80	M 10	80	18	5	26	3	17	10	307
GN 30-80-M10-100-A1-*	80	M 10	100	18	5	26	3	17	10	317
GN 30-80-M10-100-A2-*	80	M 10	100	18	5	26	3	17	10	274
GN 30-80-M10-100-A5-*	80	M 10	100	18	5	26	3	17	10	317
GN 30-80-M12-60-A1-*	80	M 12	60	18	5	26	3	17	12	310
GN 30-80-M12-60-A2-*	80	M 12	60	18	5	26	3	17	12	267
GN 30-80-M12-60-A5-*	80	M 12	60	18	5	26	3	17	12	310
GN 30-80-M12-80-A1-*	80	M 12	80	18	5	26	3	17	12	325
GN 30-80-M12-80-A2-*	80	M 12	80	18	5	26	3	17	12	282
GN 30-80-M12-80-A5-*	80	M 12	80	18	5	26	3	17	12	325
GN 30-80-M12-100-A1-*	80	M 12	100	18	5	26	3	17	12	339
GN 30-80-M12-100-A2-*	80	M 12	100	18	5	26	3	17	12	296
GN 30-80-M12-100-A5-*	80	M 12	100	18	5	26	3	17	12	339
GN 30-80-M12-125-A1-*	80	M 12	125	18	5	26	3	17	12	361
GN 30-80-M12-125-A2-*	80	M 12	125	18	5	26	3	17	12	318
GN 30-80-M12-125-A5-*	80	M 12	125	18	5	26	3	17	12	361
GN 30-100-M8-40-A1-*	100	M 8	40	20	6	28	3	17	8	392
GN 30-100-M8-40-A2-*	100	M 8	40	20	6	28	3	17	8	326
GN 30-100-M8-40-A5-*	100	M 8	40	20	6	28	3	17	8	392

GN 30-S/SK

Description	d1	d2	l1	h1	h2	h3	s	A/F ₁	Static load in kN	
GN 30-100-M8-50-A1-*	100	M 8	50	20	6	28	3	17	8	395
GN 30-100-M8-50-A2-*	100	M 8	50	20	6	28	3	17	8	329
GN 30-100-M8-50-A5-*	100	M 8	50	20	6	28	3	17	8	395
GN 30-100-M8-63-A1-*	100	M 8	63	20	6	28	3	17	8	399
GN 30-100-M8-63-A2-*	100	M 8	63	20	6	28	3	17	8	333
GN 30-100-M8-63-A5-*	100	M 8	63	20	6	28	3	17	8	399
GN 30-100-M10-50-A1-*	100	M 10	50	20	6	28	3	17	10	413
GN 30-100-M10-50-A2-*	100	M 10	50	20	6	28	3	17	10	347
GN 30-100-M10-50-A5-*	100	M 10	50	20	6	28	3	17	10	413
GN 30-100-M10-60-A1-*	100	M 10	60	20	6	28	3	17	10	430
GN 30-100-M10-60-A2-*	100	M 10	60	20	6	28	3	17	10	364
GN 30-100-M10-60-A5-*	100	M 10	60	20	6	28	3	17	10	430
GN 30-100-M10-80-A1-*	100	M 10	80	20	6	28	3	17	10	439
GN 30-100-M10-80-A2-*	100	M 10	80	20	6	28	3	17	10	373
GN 30-100-M10-80-A5-*	100	M 10	80	20	6	28	3	17	10	439
GN 30-100-M10-100-A1-*	100	M 10	100	20	6	28	3	17	10	449
GN 30-100-M10-100-A2-*	100	M 10	100	20	6	28	3	17	10	383
GN 30-100-M10-100-A5-*	100	M 10	100	20	6	28	3	17	10	449
GN 30-100-M12-60-A1-*	100	M 12	60	20	6	28	3	17	11	442
GN 30-100-M12-60-A2-*	100	M 12	60	20	6	28	3	17	10	376
GN 30-100-M12-60-A5-*	100	M 12	60	20	6	28	3	17	11	442
GN 30-100-M12-80-A1-*	100	M 12	80	20	6	28	3	17	11	457
GN 30-100-M12-80-A2-*	100	M 12	80	20	6	28	3	17	10	391
GN 30-100-M12-80-A5-*	100	M 12	80	20	6	28	3	17	11	457
GN 30-100-M12-100-A1-*	100	M 12	100	20	6	28	3	17	11	471
GN 30-100-M12-100-A2-*	100	M 12	100	20	6	28	3	17	10	405
GN 30-100-M12-100-A5-*	100	M 12	100	20	6	28	3	17	11	471
GN 30-100-M12-125-A1-*	100	M 12	125	20	6	28	3	17	11	493
GN 30-100-M12-125-A2-*	100	M 12	125	20	6	28	3	17	10	427
GN 30-100-M12-125-A5-*	100	M 12	125	20	6	28	3	17	11	493

Weight Version S



* Complete with version of the Levelling feet (Hexagon socket at the top / Wrench at the bottom)

U without nut UK with nut

GN 30-U/UK

GN 30-U/UK

Description	d1	d2	l1	h1	h2	h4	s	A/F ₂	A/F ₃	Static load in kN	⚖️
GN 30-50-M16-75-A1-*	50	M 16	75	14.5	3.5	29	3	12	8	16	180
GN 30-50-M16-75-A2-*	50	M 16	75	14.5	3.5	29	3	12	8	13	249
GN 30-50-M16-75-A5-*	50	M 16	75	14.5	3.5	29	3	12	8	16	239
GN 30-50-M16-100-A1-*	50	M 16	100	14.5	3.5	29	3	12	8	16	271
GN 30-50-M16-100-A2-*	50	M 16	100	14.5	3.5	29	3	12	8	13	281
GN 30-50-M16-100-A5-*	50	M 16	100	14.5	3.5	29	3	12	8	16	271
GN 30-50-M16-125-A1-*	50	M 16	125	14.5	3.5	29	3	12	8	16	256
GN 30-50-M16-125-A2-*	50	M 16	125	14.5	3.5	29	3	12	8	13	313
GN 30-50-M16-125-A5-*	50	M 16	125	14.5	3.5	29	3	12	8	16	303
GN 30-50-M16-150-A1-*	50	M 16	150	14.5	3.5	29	3	12	8	16	335
GN 30-50-M16-150-A2-*	50	M 16	150	14.5	3.5	29	3	12	8	13	345
GN 30-50-M16-150-A5-*	50	M 16	150	14.5	3.5	29	3	12	8	16	335
GN 30-50-M16-200-A1-*	50	M 16	200	14.5	3.5	29	3	12	8	16	395
GN 30-50-M16-200-A2-*	50	M 16	200	14.5	3.5	29	3	12	8	13	405
GN 30-50-M16-200-A5-*	50	M 16	200	14.5	3.5	29	3	12	8	16	395
GN 30-60-M16-75-A1-*	60	M 16	75	16	4	30	3	12	8	16	290
GN 30-60-M16-75-A2-*	60	M 16	75	16	4	30	3	12	8	13	290
GN 30-60-M16-75-A5-*	60	M 16	75	16	4	30	3	12	8	16	300
GN 30-60-M16-100-A1-*	60	M 16	100	16	4	30	3	12	8	16	322
GN 30-60-M16-100-A2-*	60	M 16	100	16	4	30	3	12	8	13	322
GN 30-60-M16-100-A5-*	60	M 16	100	16	4	30	3	12	8	16	322
GN 30-60-M16-125-A1-*	60	M 16	125	16	4	30	3	12	8	16	354
GN 30-60-M16-125-A2-*	60	M 16	125	16	4	30	3	12	8	13	354
GN 30-60-M16-125-A5-*	60	M 16	125	16	4	30	3	12	8	16	354
GN 30-60-M16-150-A1-*	60	M 16	150	16	4	30	3	12	8	16	346
GN 30-60-M16-150-A2-*	60	M 16	150	16	4	30	3	12	8	13	386
GN 30-60-M16-150-A5-*	60	M 16	150	16	4	30	3	12	8	16	386
GN 30-60-M16-200-A1-*	60	M 16	200	16	4	30	3	12	8	16	446
GN 30-60-M16-200-A2-*	60	M 16	200	16	4	30	3	12	8	13	446
GN 30-60-M16-200-A5-*	60	M 16	200	16	4	30	3	12	8	16	446
GN 30-80-M16-75-A1-*	80	M 16	75	18	5	32	3	12	8	12	361
GN 30-80-M16-75-A2-*	80	M 16	75	18	5	32	3	12	8	11	300
GN 30-80-M16-75-A5-*	80	M 16	75	18	5	32	3	12	8	12	361
GN 30-80-M16-100-A1-*	80	M 16	100	18	5	32	3	12	8	12	393
GN 30-80-M16-100-A2-*	80	M 16	100	18	5	32	3	12	8	11	332
GN 30-80-M16-100-A5-*	80	M 16	100	18	5	32	3	12	8	12	393
GN 30-80-M16-125-A1-*	80	M 16	125	18	5	32	3	12	8	12	425

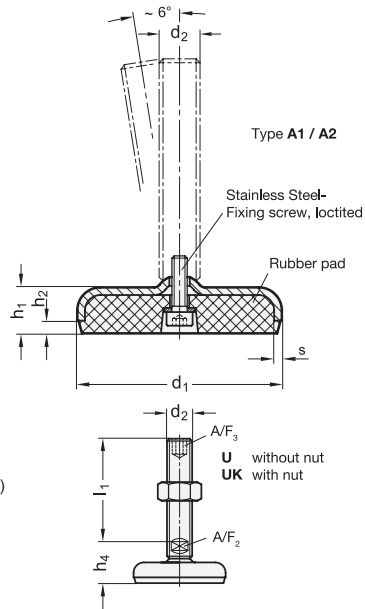
Description	d1	d2	l1	h1	h2	h4	s	A/F ₂	A/F ₃	Static load in kN	⚖️
GN 30-80-M16-125-A2-*	80	M 16	125	18	5	32	3	12	8	11	364
GN 30-80-M16-125-A5-*	80	M 16	125	18	5	32	3	12	8	12	425
GN 30-80-M16-150-A1-*	80	M 16	150	18	5	32	3	12	8	12	457
GN 30-80-M16-150-A2-*	80	M 16	150	18	5	32	3	12	8	11	396
GN 30-80-M16-150-A5-*	80	M 16	150	18	5	32	3	12	8	12	457
GN 30-80-M16-200-A1-*	80	M 16	200	18	5	32	3	12	8	12	517
GN 30-80-M16-200-A2-*	80	M 16	200	18	5	32	3	12	8	11	456
GN 30-80-M16-200-A5-*	80	M 16	200	18	5	32	3	12	8	12	517
GN 30-80-M20-75-A1-*	80	M 20	75	18	5	33	3	15	10	12	515
GN 30-80-M20-75-A2-*	80	M 20	75	18	5	33	3	15	10	11	454
GN 30-80-M20-75-A5-*	80	M 20	75	18	5	33	3	15	10	12	515
GN 30-80-M20-100-A1-*	80	M 20	100	18	5	33	3	15	10	12	565
GN 30-80-M20-100-A2-*	80	M 20	100	18	5	33	3	15	10	11	504
GN 30-80-M20-100-A5-*	80	M 20	100	18	5	33	3	15	10	12	565
GN 30-80-M20-125-A1-*	80	M 20	125	18	5	33	3	15	10	12	615
GN 30-80-M20-125-A2-*	80	M 20	125	18	5	33	3	15	10	11	554
GN 30-80-M20-125-A5-*	80	M 20	125	18	5	33	3	15	10	12	615
GN 30-80-M20-150-A1-*	80	M 20	150	18	5	33	3	15	10	12	500
GN 30-80-M20-150-A2-*	80	M 20	150	18	5	33	3	15	10	11	603
GN 30-80-M20-150-A5-*	80	M 20	150	18	5	33	3	15	10	12	664
GN 30-80-M20-200-A1-*	80	M 20	200	18	5	33	3	15	10	12	660
GN 30-80-M20-200-A2-*	80	M 20	200	18	5	33	3	15	10	11	694
GN 30-80-M20-200-A5-*	80	M 20	200	18	5	33	3	15	10	12	755
GN 30-80-M24-100-A1-*	80	M 24	100	18	5	36	3	19	12	12	649
GN 30-80-M24-100-A2-*	80	M 24	100	18	5	36	3	19	12	11	606
GN 30-80-M24-100-A5-*	80	M 24	100	18	5	36	3	19	12	12	649
GN 30-80-M24-125-A1-*	80	M 24	125	18	5	36	3	19	12	12	721
GN 30-80-M24-125-A2-*	80	M 24	125	18	5	36	3	19	12	11	678
GN 30-80-M24-125-A5-*	80	M 24	125	18	5	36	3	19	12	12	721
GN 30-80-M24-150-A1-*	80	M 24	150	18	5	36	3	19	12	12	793
GN 30-80-M24-150-A2-*	80	M 24	150	18	5	36	3	19	12	11	750
GN 30-80-M24-150-A5-*	80	M 24	150	18	5	36	3	19	12	12	793
GN 30-80-M24-200-A1-*	80	M 24	200	18	5	36	3	19	12	12	931
GN 30-80-M24-200-A2-*	80	M 24	200	18	5	36	3	19	12	11	888
GN 30-80-M24-200-A5-*	80	M 24	200	18	5	36	3	19	12	12	931
GN 30-100-M16-75-A1-*	100	M 16	75	20	6	34	3	12	8	11	493
GN 30-100-M16-75-A2-*	100	M 16	75	20	6	34	3	12	8	10	409
GN 30-100-M16-75-A5-*	100	M 16	75	20	6	34	3	12	8	11	493
GN 30-100-M16-100-A1-*	100	M 16	100	20	6	34	3	12	8	11	525

Weight Version U





Levelling elements 11



* Complete with version of the Levelling feet (Hexagon socket at the top / Wrench at the bottom)

U without nut **UK** with nut

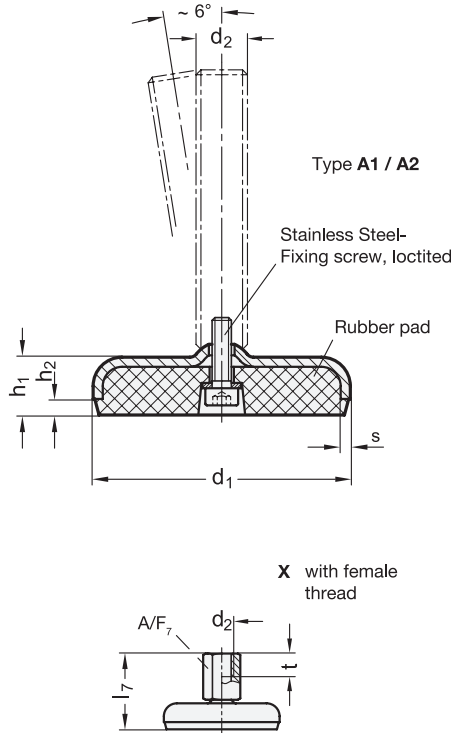
GN 30-U/UK

Description	d1	d2	l1	h1	h2	h4	s	A/F ₂	A/F ₃	Static load in kN		
GN 30-100-M16-100-A2-*	100	M 16	100	20	6	34	3	12	8	10	441	
GN 30-100-M16-100-A5-*	100	M 16	100	20	6	34	3	12	8	11	525	
GN 30-100-M16-125-A1-*	100	M 16	125	20	6	34	3	12	8	11	557	
GN 30-100-M16-125-A2-*	100	M 16	125	20	6	34	3	12	8	10	473	
GN 30-100-M16-150-A1-*	100	M 16	150	20	6	34	3	12	8	11	557	
GN 30-100-M16-150-A2-*	100	M 16	150	20	6	34	3	12	8	10	505	
GN 30-100-M16-150-A5-*	100	M 16	150	20	6	34	3	12	8	11	589	
GN 30-100-M16-200-A1-*	100	M 16	200	20	6	34	3	12	8	11	649	
GN 30-100-M16-200-A2-*	100	M 16	200	20	6	34	3	12	8	10	565	
GN 30-100-M16-200-A5-*	100	M 16	200	20	6	34	3	12	8	11	649	
GN 30-100-M20-75-A1-*	100	M 20	75	20	6	35	3	15	10	11	684	
GN 30-100-M20-75-A2-*	100	M 20	75	20	6	35	3	15	10	10	600	
GN 30-100-M20-75-A5-*	100	M 20	75	20	6	35	3	15	10	11	684	
GN 30-100-M20-100-A1-*	100	M 20	100	20	6	35	3	15	10	11	734	
GN 30-100-M20-100-A2-*	100	M 20	100	20	6	35	3	15	10	10	650	
GN 30-100-M20-100-A5-*	100	M 20	100	20	6	35	3	15	10	11	734	
GN 30-100-M20-125-A1-*	100	M 20	125	20	6	35	3	15	10	11	784	
GN 30-100-M20-125-A2-*	100	M 20	125	20	6	35	3	15	10	10	700	
GN 30-100-M20-125-A5-*	100	M 20	125	20	6	35	3	15	10	11	784	
GN 30-100-M20-150-A1-*	100	M 20	150	20	6	35	3	15	10	11	833	
GN 30-100-M20-150-A2-*	100	M 20	150	20	6	35	3	15	10	10	749	
GN 30-100-M20-150-A5-*	100	M 20	150	20	6	35	3	15	10	11	833	
GN 30-100-M20-200-A1-*	100	M 20	200	20	6	35	3	15	10	11	924	
GN 30-100-M20-200-A2-*	100	M 20	200	20	6	35	3	15	10	10	840	
GN 30-100-M20-200-A5-*	100	M 20	200	20	6	35	3	15	10	11	924	
GN 30-100-M24-100-A1-*	100	M 24	100	20	6	38	3	19	12	11	818	
GN 30-100-M24-100-A2-*	100	M 24	100	20	6	38	3	19	12	10	752	
GN 30-100-M24-100-A5-*	100	M 24	100	20	6	38	3	19	12	11	818	
GN 30-100-M24-125-A1-*	100	M 24	125	20	6	35	3	19	12	11	890	
GN 30-100-M24-125-A2-*	100	M 24	125	20	6	35	3	19	12	10	824	
GN 30-100-M24-125-A5-*	100	M 24	125	20	6	35	3	19	12	11	890	
GN 30-100-M24-150-A1-*	100	M 24	150	20	6	35	3	19	12	11	962	
GN 30-100-M24-150-A2-*	100	M 24	150	20	6	38	3	19	12	10	896	
GN 30-100-M24-150-A5-*	100	M 24	150	20	6	38	3	19	12	11	962	
GN 30-100-M24-200-A1-*	100	M 24	200	20	6	38	3	19	12	11	1100	
GN 30-100-M24-200-A2-*	100	M 24	200	20	6	38	3	19	12	10	1034	
GN 30-100-M24-200-A5-*	100	M 24	200	20	6	38	3	19	12	11	1100	
GN 30-120-M20-100-A1-*	120	M 20	100	22	6	39	4	15	10	20	878	

GN 30-U/UK

Description	d1	d2	l1	h1	h2	h4	s	A/F ₂	A/F ₃	Static load in kN		
GN 30-120-M20-100-A2-*	120	M 20	100	22	6	39	4	15	10	16	742	
GN 30-120-M20-100-A5-*	120	M 20	100	22	6	39	4	15	10	20	878	
GN 30-120-M20-125-A1-*	120	M 20	125	22	6	39	4	15	10	20	928	
GN 30-120-M20-125-A2-*	120	M 20	125	22	6	39	4	15	10	16	792	
GN 30-120-M20-125-A5-*	120	M 20	125	22	6	39	4	15	10	20	928	
GN 30-120-M20-150-A1-*	120	M 20	150	22	6	39	4	15	10	20	977	
GN 30-120-M20-150-A2-*	120	M 20	150	22	6	39	4	15	10	16	841	
GN 30-120-M20-150-A5-*	120	M 20	150	22	6	39	4	15	10	20	977	
GN 30-120-M20-200-A1-*	120	M 20	200	22	6	39	4	15	10	20	1068	
GN 30-120-M20-200-A2-*	120	M 20	200	22	6	39	4	15	10	16	932	
GN 30-120-M20-200-A5-*	120	M 20	200	22	6	39	4	15	10	20	1068	
GN 30-120-M24-100-A1-*	120	M 24	100	22	6	42	4	19	12	20	983	
GN 30-120-M24-100-A2-*	120	M 24	100	22	6	42	4	19	12	16	847	
GN 30-120-M24-100-A5-*	120	M 24	100	22	6	42	4	19	12	20	983	
GN 30-120-M24-125-A1-*	120	M 24	125	22	6	42	4	19	12	20	1055	
GN 30-120-M24-125-A2-*	120	M 24	125	22	6	42	4	19	12	16	919	
GN 30-120-M24-125-A5-*	120	M 24	125	22	6	42	4	19	12	20	1055	
GN 30-120-M24-150-A1-*	120	M 24	150	22	6	42	4	19	12	20	1127	
GN 30-120-M24-150-A2-*	120	M 24	150	22	6	42	4	19	12	16	991	
GN 30-120-M24-150-A5-*	120	M 24	150	22	6	42	4	19	12	20	1127	
GN 30-120-M24-200-A1-*	120	M 24	200	22	6	42	4	19	12	20	1265	
GN 30-120-M24-200-A2-*	120	M 24	200	22	6	42	4	19	12	16	1129	
GN 30-120-M24-200-A5-*	120	M 24	200	22	6	42	4	19	12	20	1265	
GN 30-120-M30-100-A1-*	120	M 30	100	22	6	46	4	24	12	20	1187	
GN 30-120-M30-100-A2-*	120	M 30	100	22	6	46	4	24	12	16	1051	
GN 30-120-M30-100-A5-*	120	M 30	100	22	6	46	4	24	12	20	1187	
GN 30-120-M30-125-A1-*	120	M 30	125	22	6	46	4	24	12	20	1298	
GN 30-120-M30-125-A2-*	120	M 30	125	22	6	46	4	24	12	16	1162	
GN 30-120-M30-125-A5-*	120	M 30	125	22	6	46	4	24	12	20	1298	
GN 30-120-M30-150-A1-*	120	M 30	150	22	6	46	4	24	12	20	1410	
GN 30-120-M30-150-A2-*	120	M 30	150	22	6	46	4	24	12	16	1274	
GN 30-120-M30-150-A5-*	120	M 30	150	22	6	46	4	24	12	20	1410	
GN 30-120-M30-200-A1-*	120	M 30	200	22	6	46	4	24	12	20	1636	
GN 30-120-M30-200-A2-*	120	M 30	200	22	6	46	4	24	12	16	1500	
GN 30-120-M30-200-A5-*	120	M 30	200	22	6	46	4	24	12	20	1636	

Weight Version U



GN 30-X

Description	d1	d2	l7	h1	h2	r	A/F7	t	Static load in N ≈
GN 30-50-M8-37-A1-X	50	M 8	37	14.5	3.5	3	14	8	159
GN 30-50-M8-37-A2-X	50	M 8	37	14.5	3.5	3	14	8	149
GN 30-50-M8-37-A5-X	50	M 8	37	14.5	3.5	3	14	8	159
GN 30-50-M10-40-A1-X	50	M 10	40	14.5	3.5	3	14	10	157
GN 30-50-M10-40-A2-X	50	M 10	40	14.5	3.5	3	14	10	147
GN 30-50-M10-40-A5-X	50	M 10	40	14.5	3.5	3	14	10	157
GN 30-50-M12-43-A1-X	50	M 12	43	14.5	3.5	3	17	12	173
GN 30-50-M12-43-A2-X	50	M 12	43	14.5	3.5	3	17	12	164
GN 30-50-M12-43-A5-X	50	M 12	43	14.5	3.5	3	17	12	173
GN 30-50-M16-49-A1-X	50	M 16	49	14.5	3.5	3	22	16	210
GN 30-50-M16-49-A2-X	50	M 16	49	14.5	3.5	3	22	16	220
GN 30-50-M16-49-A5-X	50	M 16	49	14.5	3.5	3	22	16	210
GN 30-60-M8-38-A1-X	60	M 8	38	16	4	3	14	8	210
GN 30-60-M8-38-A2-X	60	M 8	38	16	4	3	14	8	191
GN 30-60-M8-38-A5-X	60	M 8	38	16	4	3	14	8	210
GN 30-60-M10-41-A1-X	60	M 10	41	16	4	3	14	10	208
GN 30-60-M10-41-A2-X	60	M 10	41	16	4	3	14	10	189
GN 30-60-M10-41-A5-X	60	M 10	41	16	4	3	14	10	208
GN 30-60-M12-45-A1-X	60	M 12	45	16	4	3	17	12	224
GN 30-60-M12-45-A2-X	60	M 12	45	16	4	3	17	12	205
GN 30-60-M12-45-A5-X	60	M 12	45	16	4	3	17	12	224

GN 30-X

Description	d1	d2	l7	h1	h2	r	A/F7	t	Static load in N ≈
GN 30-80-M10-43-A2-X	80	M 10	43	18	5	3	14	10	238
GN 30-80-M10-43-A5-X	80	M 10	43	18	5	3	14	10	281
GN 30-80-M12-47-A1-X	80	M 12	47	18	5	3	17	12	297
GN 30-80-M12-47-A2-X	80	M 12	47	18	5	3	17	12	254
GN 30-80-M12-47-A5-X	80	M 12	47	18	5	3	17	12	297
GN 30-80-M16-52-A1-X	80	M 16	52	18	5	3	22	16	332
GN 30-80-M16-52-A2-X	80	M 16	52	18	5	3	22	16	289
GN 30-80-M16-52-A5-X	80	M 16	52	18	5	3	22	16	332
GN 30-80-M20-60-A1-X	80	M 20	60	18	5	3	27	20	490
GN 30-80-M20-60-A2-X	80	M 20	60	18	5	3	27	20	429
GN 30-80-M20-60-A5-X	80	M 20	60	18	5	3	27	20	490
GN 30-100-M8-42-A1-X	100	M 8	42	20	6	3	14	8	415
GN 30-100-M8-42-A2-X	100	M 8	42	20	6	3	14	8	349
GN 30-100-M8-42-A5-X	100	M 8	42	20	6	3	14	8	415
GN 30-100-M10-45-A1-X	100	M 10	45	20	6	3	14	10	413
GN 30-100-M10-45-A2-X	100	M 10	45	20	6	3	14	10	347
GN 30-100-M10-45-A5-X	100	M 10	45	20	6	3	14	10	413
GN 30-100-M12-49-A1-X	100	M 12	49	20	6	3	17	12	429
GN 30-100-M12-49-A2-X	100	M 12	49	20	6	3	17	12	363
GN 30-100-M12-49-A5-X	100	M 12	49	20	6	3	17	12	429
GN 30-100-M16-54-A1-X	100	M 16	54	20	6	3	22	16	464
GN 30-100-M16-54-A2-X	100	M 16	54	20	6	3	22	16	380
GN 30-100-M16-54-A5-X	100	M 16	54	20	6	3	22	16	464
GN 30-100-M20-62-A1-X	100	M 20	62	20	6	3	27	20	659
GN 30-100-M20-62-A2-X	100	M 20	62	20	6	3	27	20	575
GN 30-100-M20-62-A5-X	100	M 20	62	20	6	3	27	20	659
GN 30-120-M20-65-A1-X	120	M 20	65	22	6	4	27	20	803
GN 30-120-M20-65-A2-X	120	M 20	65	22	6	4	27	20	667
GN 30-120-M20-65-A5-X	120	M 20	65	22	6	4	27	20	803

